

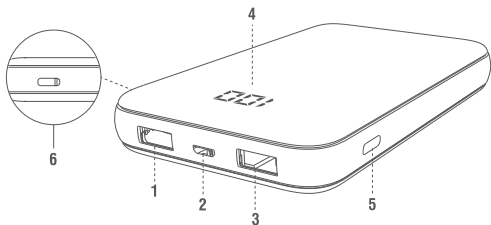


## 20000 mAh WITH USB-C PD POWER BANK



USER MANUAL

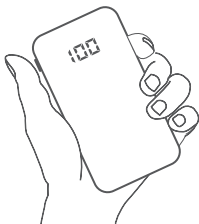
## QUICK REFERENCE



- 1) USB OUTPUT
- 2) MICRO-USB INPUT
- 3) USB OUTPUT
- 4) POWER LEVEL LED INDICATOR
- 5) POWER BUTTON: ON/OFF
- 6) TYPE-C: INPUT OR OUTPUT

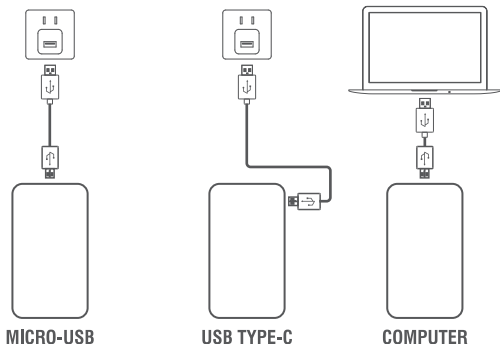
## HOW TO CHECK THE BATTERY'S POWER LEVEL

Push the power button and the LED indicator will light up to let you know the battery's power level.



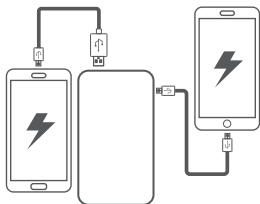
## HOW TO RECHARGE YOUR SABRENT USB BATTERY

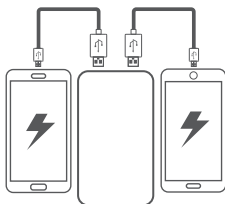
You have several options to recharge your Sabrent battery



## HOW TO RECHARGE YOUR PHONE, TABLET, OR ANY OTHER USB DEVICE

You can use both USB TYPE-A output ports, or the USB TYPE-C port. You can safely recharge any USB device.





---

## ATTENTION

- In order to extend the lifespan of your battery, please use and recharge it at least once every 3 months.
- Whenever possible, use certified or original cables. In general, if a cable gets too hot to the touch, stop using it immediately and replace it with a thicker cable.
- Avoid dropping it.
- Do not disassemble, do not pierce. Do not spill any liquids on it.
- Do not leave your battery under direct sunlight for extended periods of time. Avoid extreme temperatures (either cold or hot), rain, and humidity.
- Overall, use common sense as you would with any other electronic device.

**Please contact our Technical Support Team  
for additional troubleshooting**

